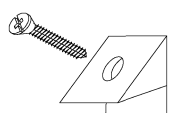

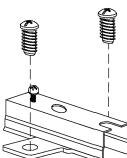
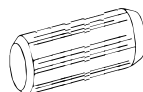

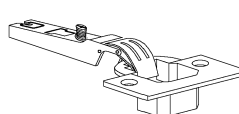
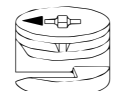
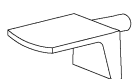
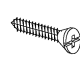
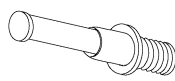

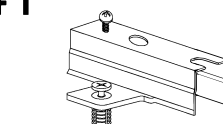
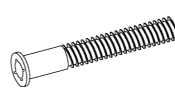
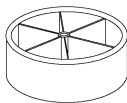
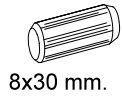


201550-03CF		H2E		209008-08CC	
A		L4530			x4
	x28		4.5x30 mm.	x6	
B		P			x4
	8x30 mm.	x16	x6	L15	x8
C		R			x8
	∅15 mm.	x8	x12	H4T	202606-05CC
D		T20			x2
	x8	x8	x8	C8	x2
E		∅20 mm.		L15	x4
	7x60 mm.	x8		4x15 mm.	
				F21	205124-06PIE
					x6
				∅ 60 mm h 20 mm	

1

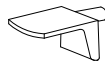
B



8x30 mm.

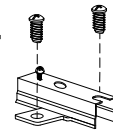
x16

R



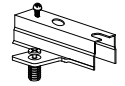
x12

H2E

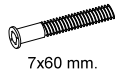
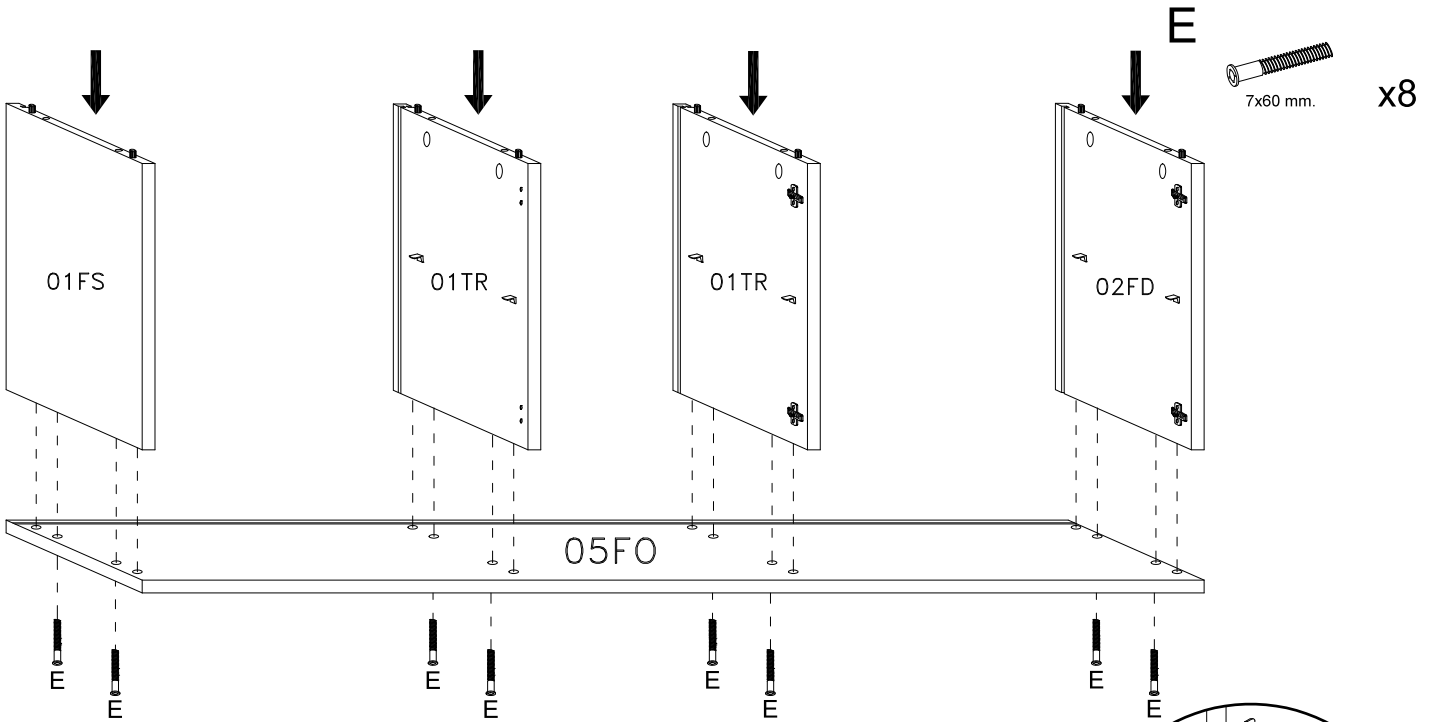
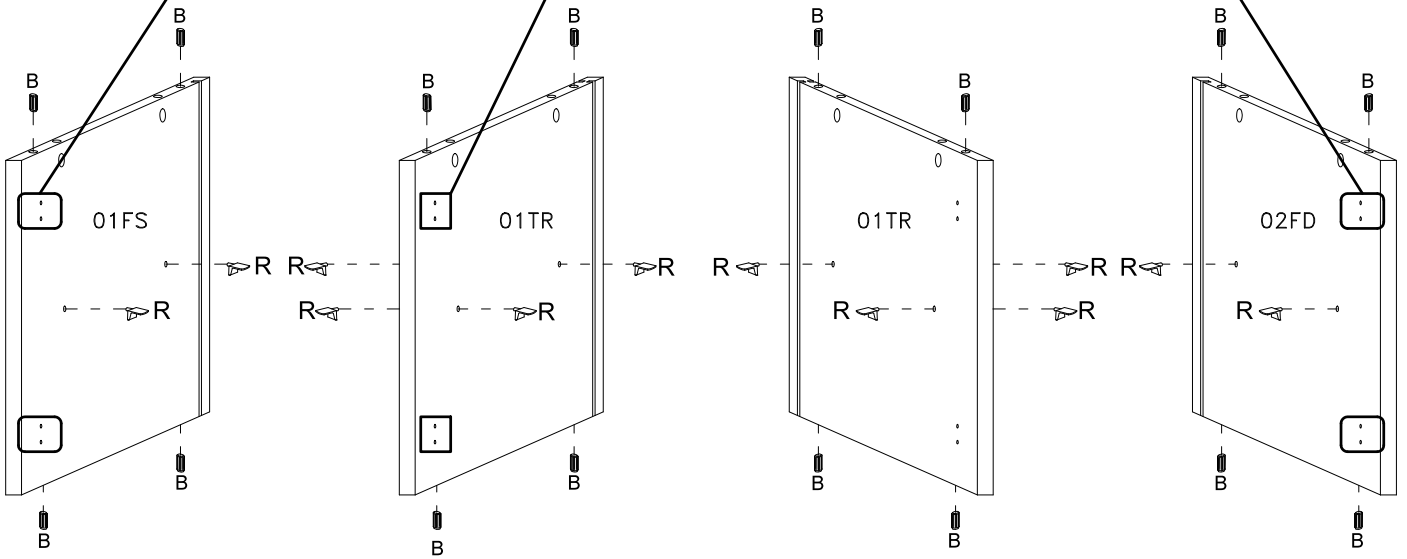
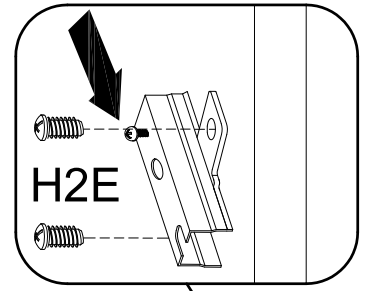
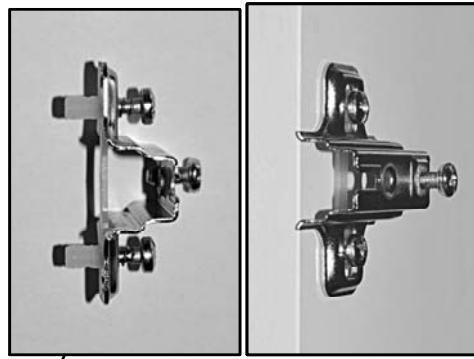
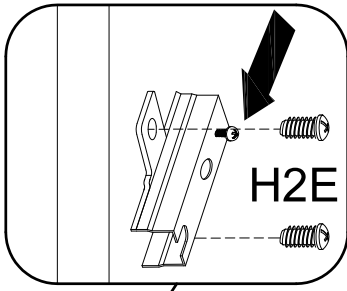


x4

H4T

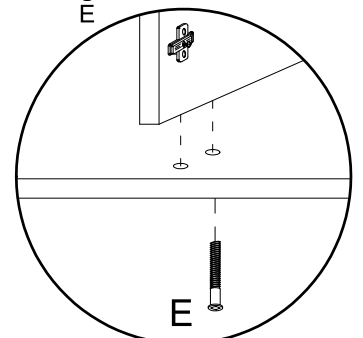


x2

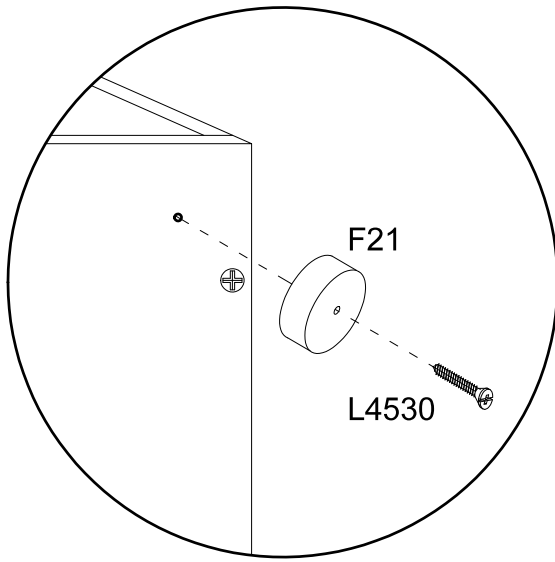


7x60 mm.

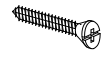
x8



2



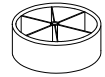
L4530



4.5x30 mm.

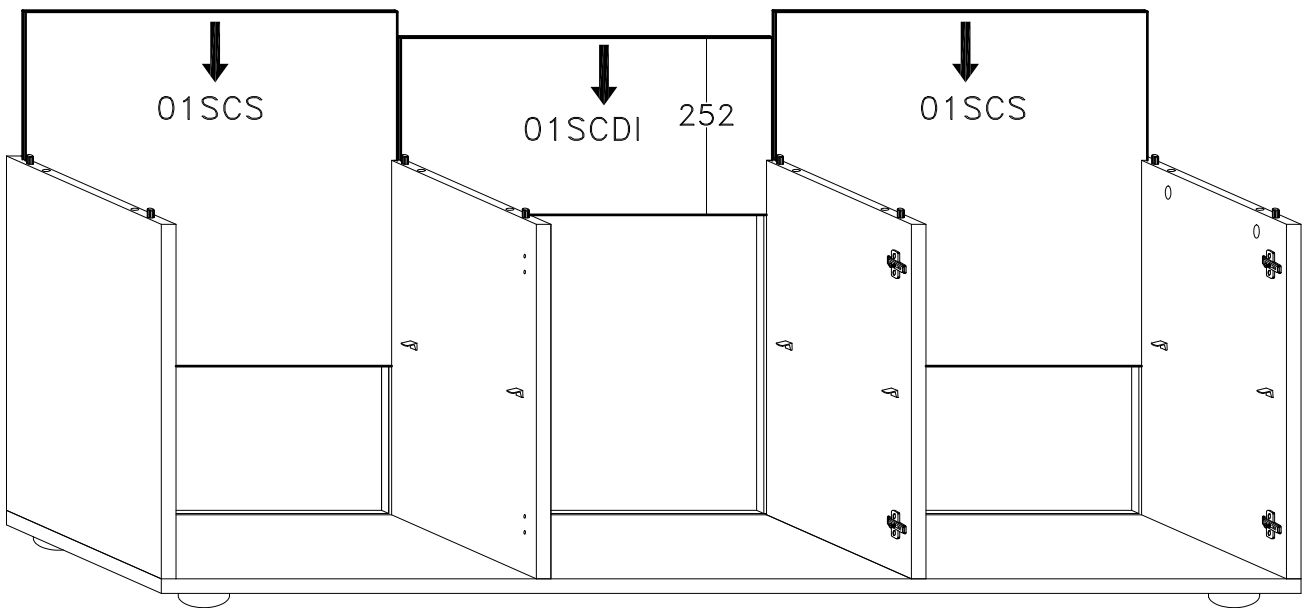
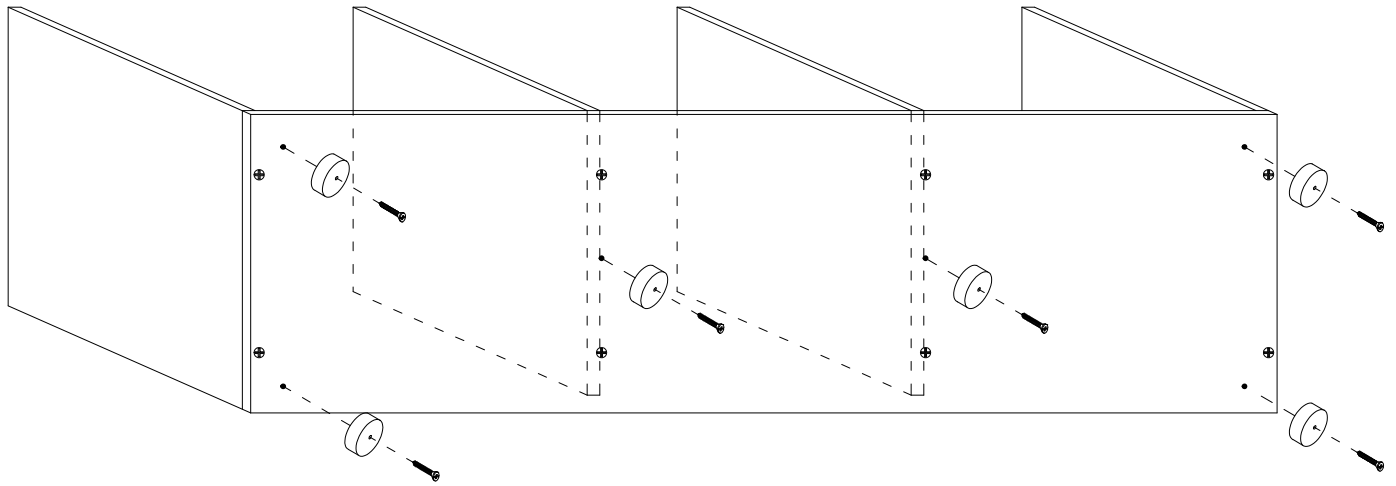
x6

F21

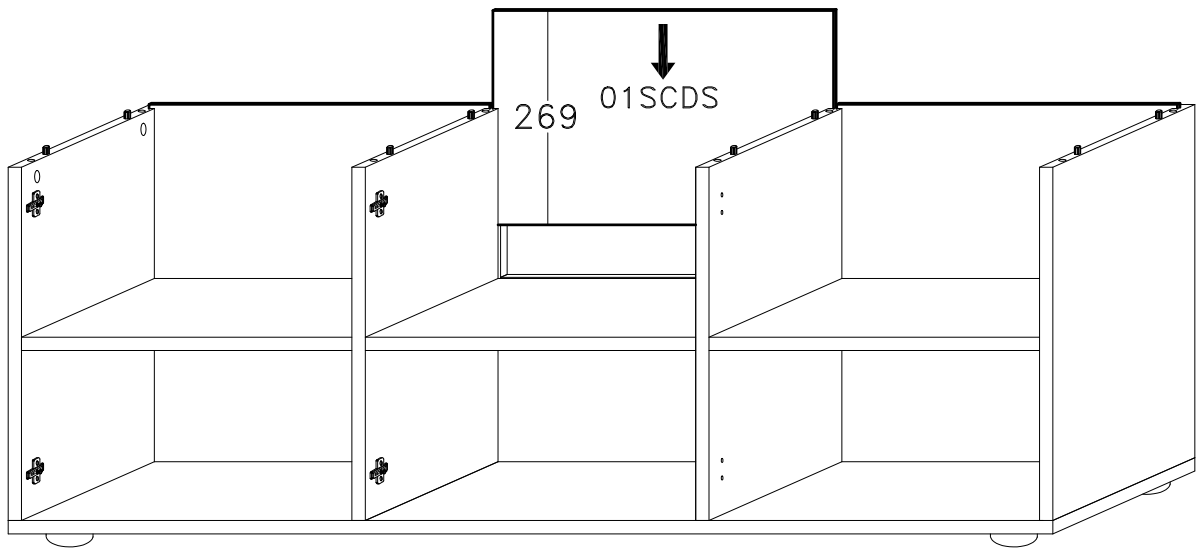
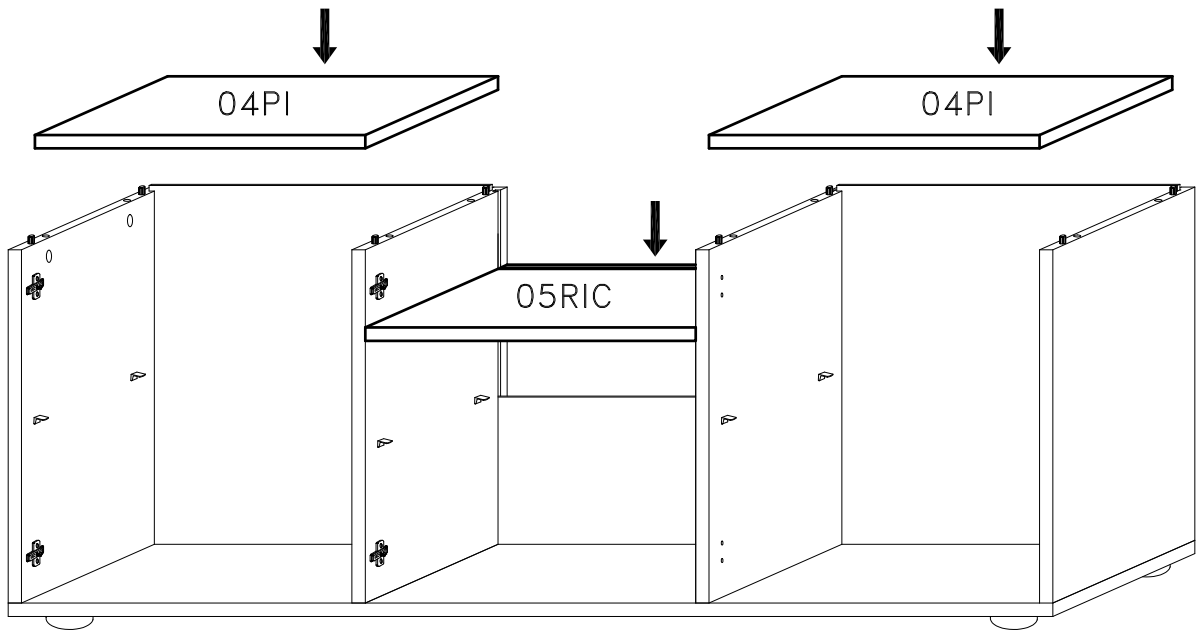


Ø 60 mm
h 20 mm

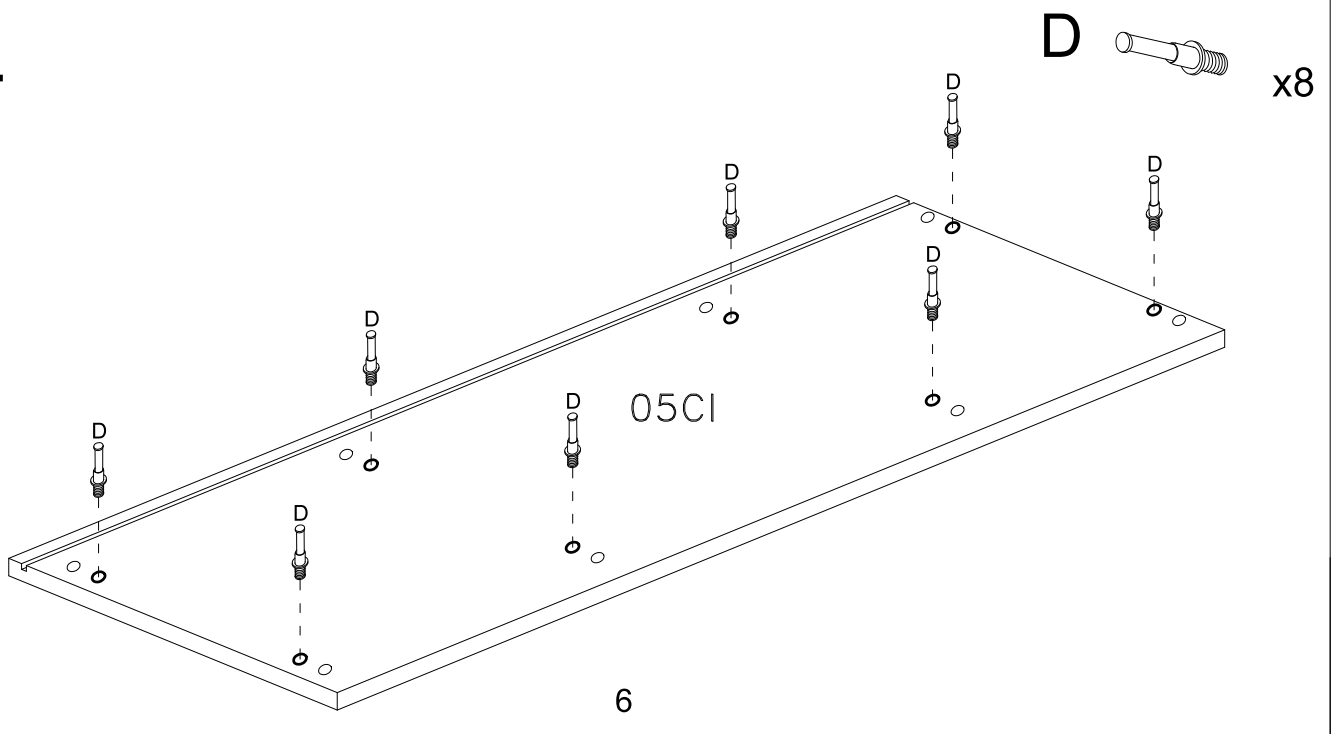
x6



3



4



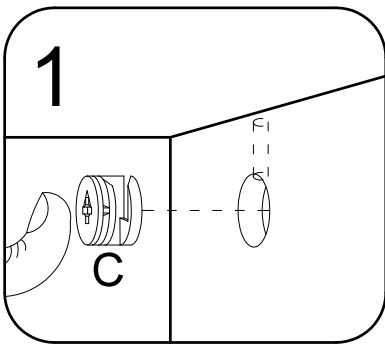
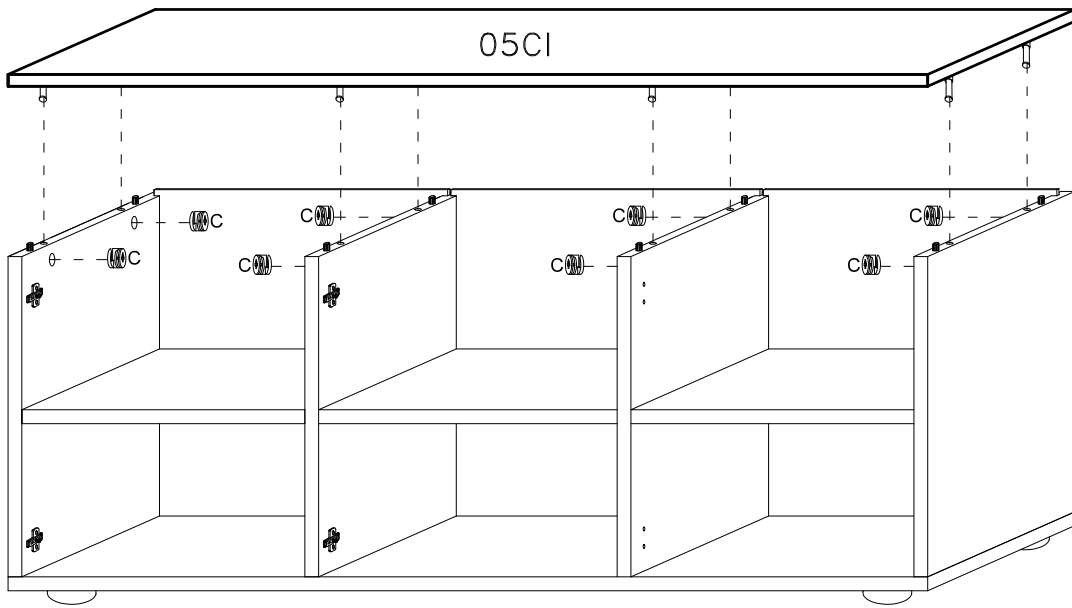
5

C

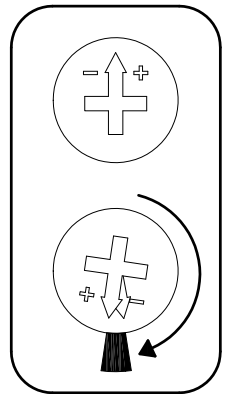
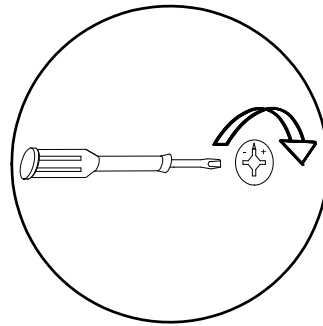


∅15 mm.

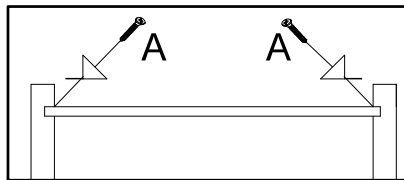
x8



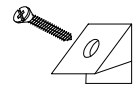
2



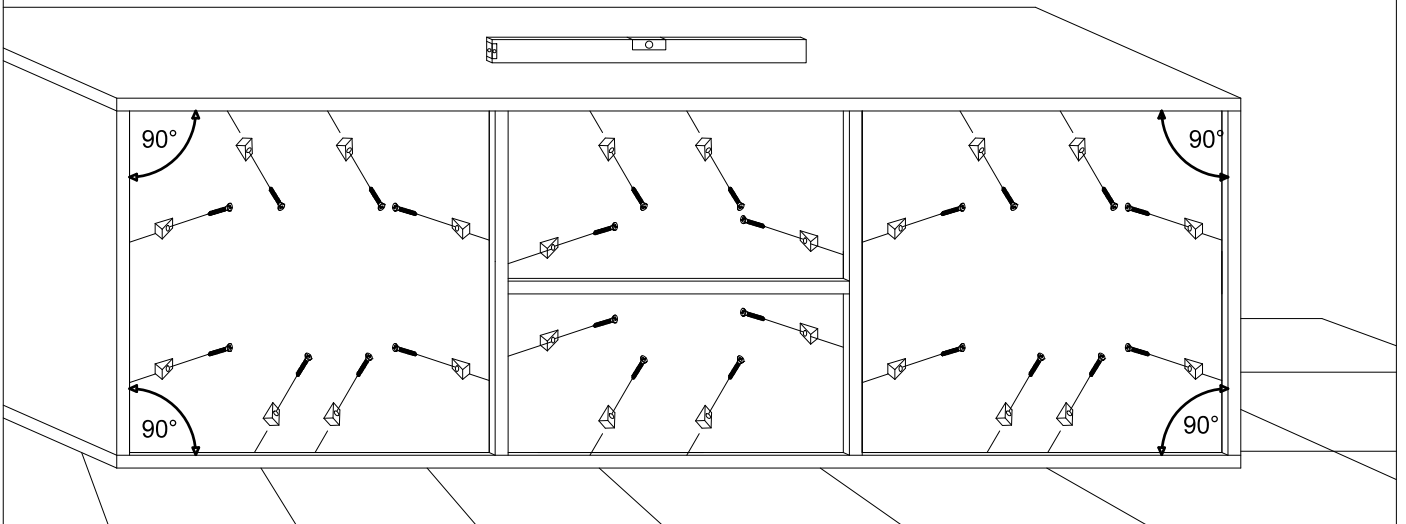
6



A

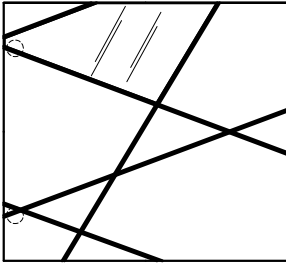


x28

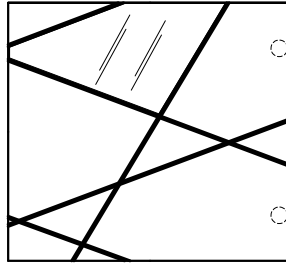


7

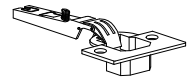
03SPS



03SPD



C0



x4

L15



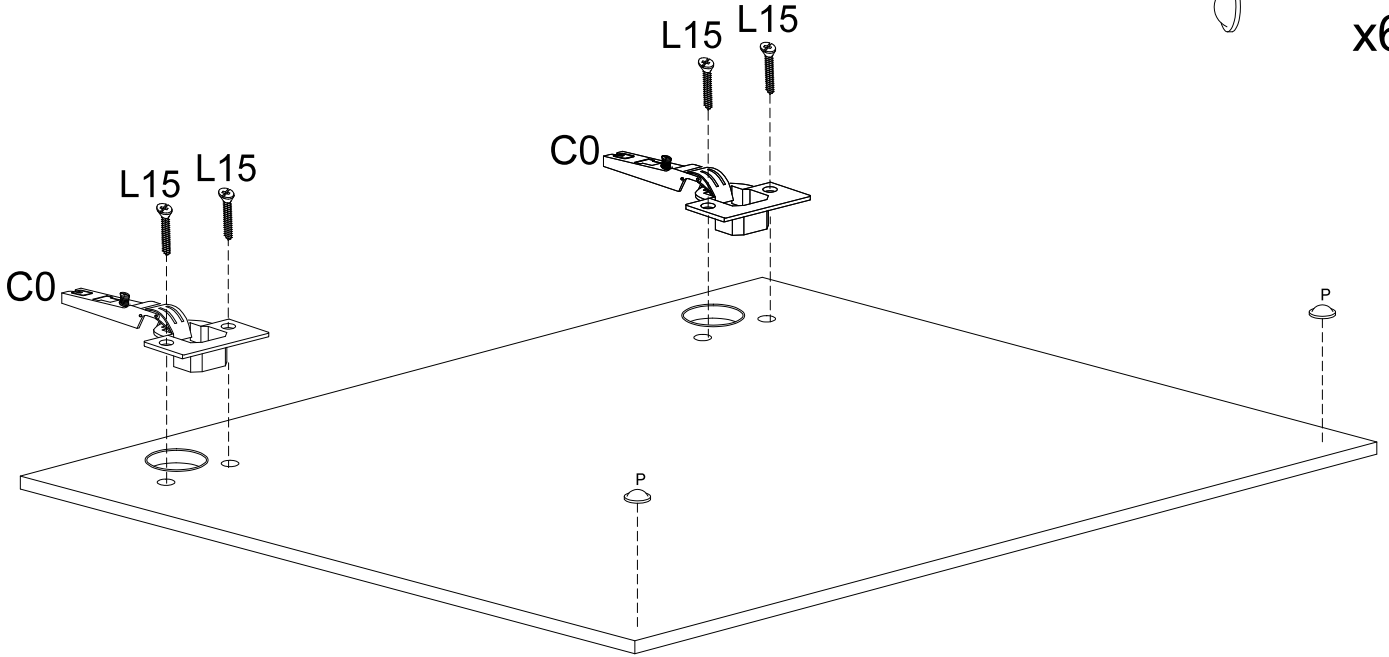
4x15 mm.

x12

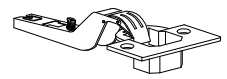
P



x6



C8



x2

03SPC

